

SYM	ZON	REVISIONS	REV NO	CHG DATE	CHECK	APPR

<上方型>

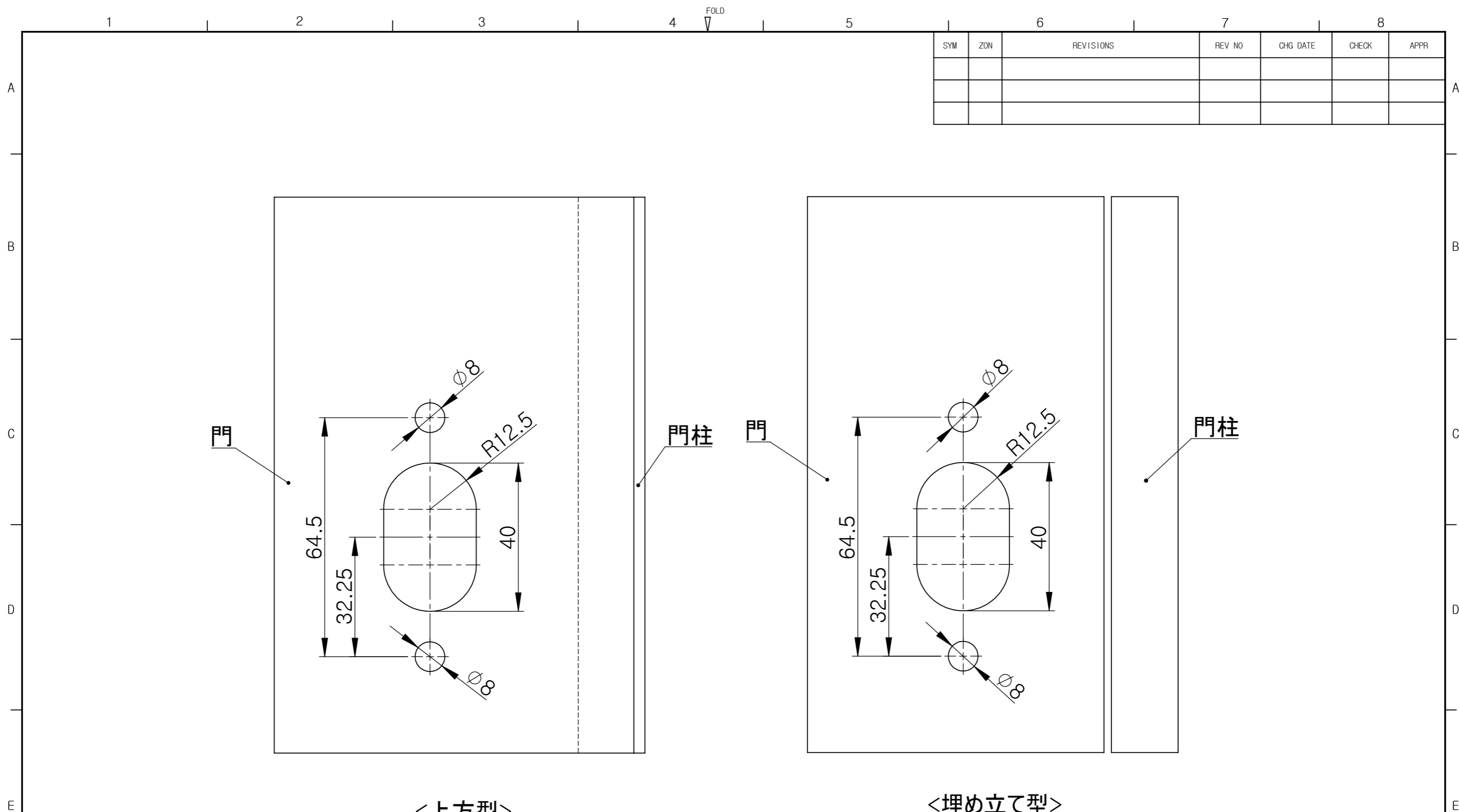
<埋め立て型>

Dimension Tolerance			
Dimension	Tolerance	Dimension	Tolerance
X	±0.1	X.XX	±0.02
X.X	±0.05	X.XXX	±0.005
Angle : ±0.1			

PART NAME 右門形穴あけ図面		CAD FILE	Q'TY/SET 1/1	OK DIGITAL
MODEL NAME LF10 SERIES		MATERIAL -		
ASS'Y NAME		END FINISH XXXXXXX		PART NO
DRAWN BY G.P.HONG	CHECKED BY	APPROVED BY		SCALE 1/1
2022.02.28				UNIT MM
				PAGE 1 OF 1

FOLD

FOLD



SYM	ZON	REVISIONS	REV NO	CHG DATE	CHECK	APPR

<上方型>

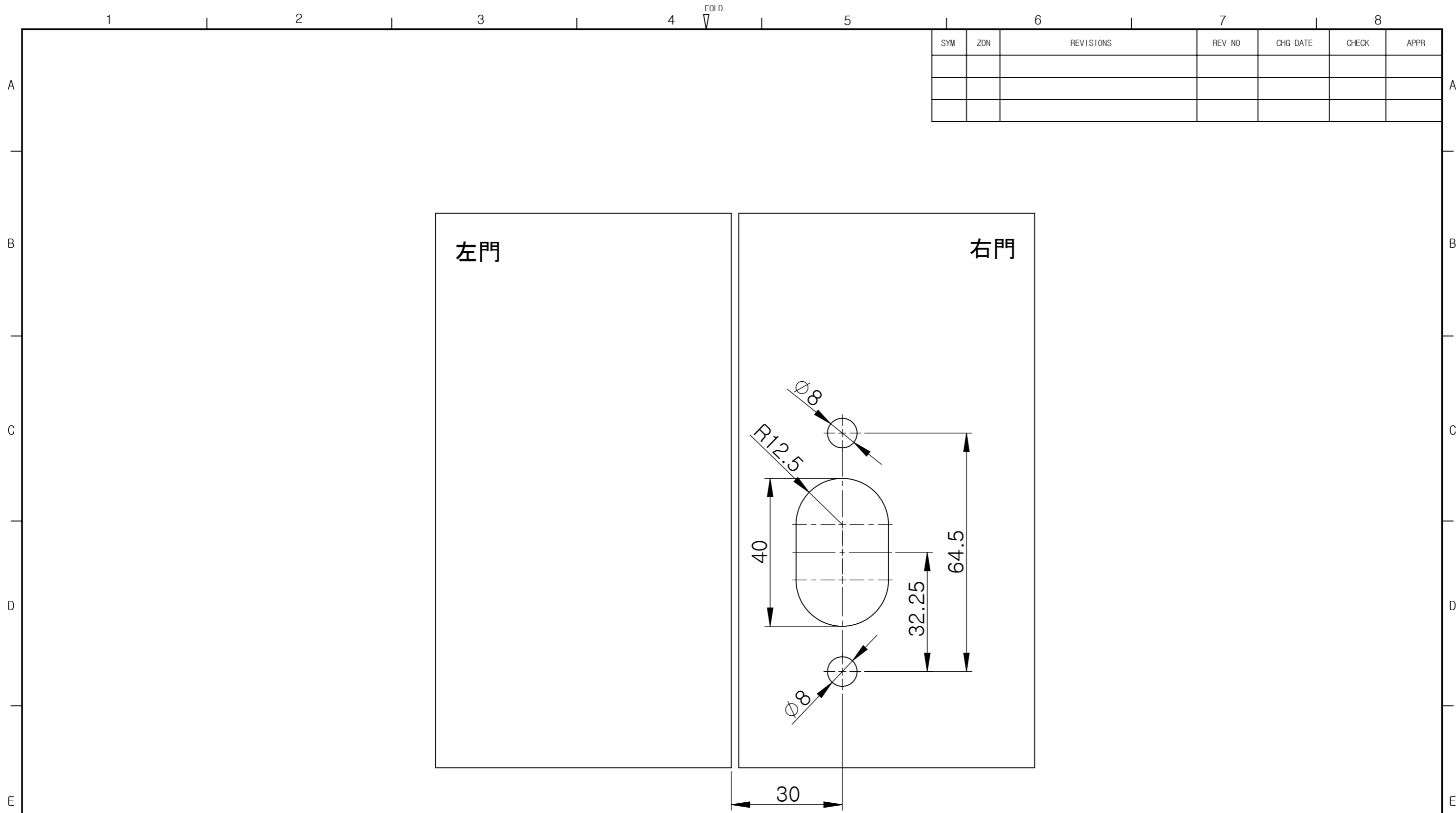
<埋め立て型>

Dimension Tolerance			
Dimension	Tolerance	Dimension	Tolerance
X	±0.1	X.XX	±0.02
X.X	±0.05	X.XXX	±0.005
Angle : ±0.1			

PART NAME 左門形穴あけ図面		CAD FILE	Q'TY/SET 1/1	OK DIGITAL
MODEL NAME LF10 SERIES		MATERIAL -	PART NO	
ASS'Y NAME		END FINISH XXXXXXX		DRAWING NO
DRAWN BY G.P.HONG	CHECKED BY	APPROVED BY	SCALE 1/1	PAGE 1 OF 1
2022.02.28			UNIT MM	

FOLD

FOLD



SYM	ZON	REVISIONS	REV NO	CHG DATE	CHECK	APPR

Dimension Tolerance			
Dimension	Tolerance	Dimension	Tolerance
X	±0.1	X.XX	±0.02
X.X	±0.05	X.XXX	±0.005
Angle : ±0.1			

PART NAME 両開穴あけ図面		CAD FILE	Q'TY/SET 1/1	OK DIGITAL
MODEL NAME LF10 SERIES		MATERIAL -		
ASS'Y NAME		END FINISH XXXXXX		PART NO
DRAWN BY G.P.HONG	CHECKED BY	APPROVED BY		SCALE 1/1
2022.02.28				UNIT MM
				PAGE 1 OF 1

FOLD

FOLD