

User Guide

Model LF11-PL





Table of Contents

	Pages
1. Features	3
2. Parts, Specifications	4
3. Front Color Options	5
4. Settings, LED/Sound Indications	6
5. How to Use	7
6. Battery Replacement, Emergency Power	8
7. Punching Installation Holes	9
8. Emergency Opening by Force	10



Features

Ok Digital's LF series are the most intuitive and convenient digital furniture lock that incorporates 20 years of accumulated technology and know-how.

Passcode type model LF11-PL provides,

- Long battery life with mechanical type in-use indicator (18 months with 3 alkaline batteries, 10 times per day)
- Stronger security through imaginary number function
- Emergency power supply through micro-USB
- Ergonomic and trendy front design
- User convenience wide-gap buttons



In-Use Indicator



Imaginary Number



Micro USB
Emergency Power



Ellipse
Front Design

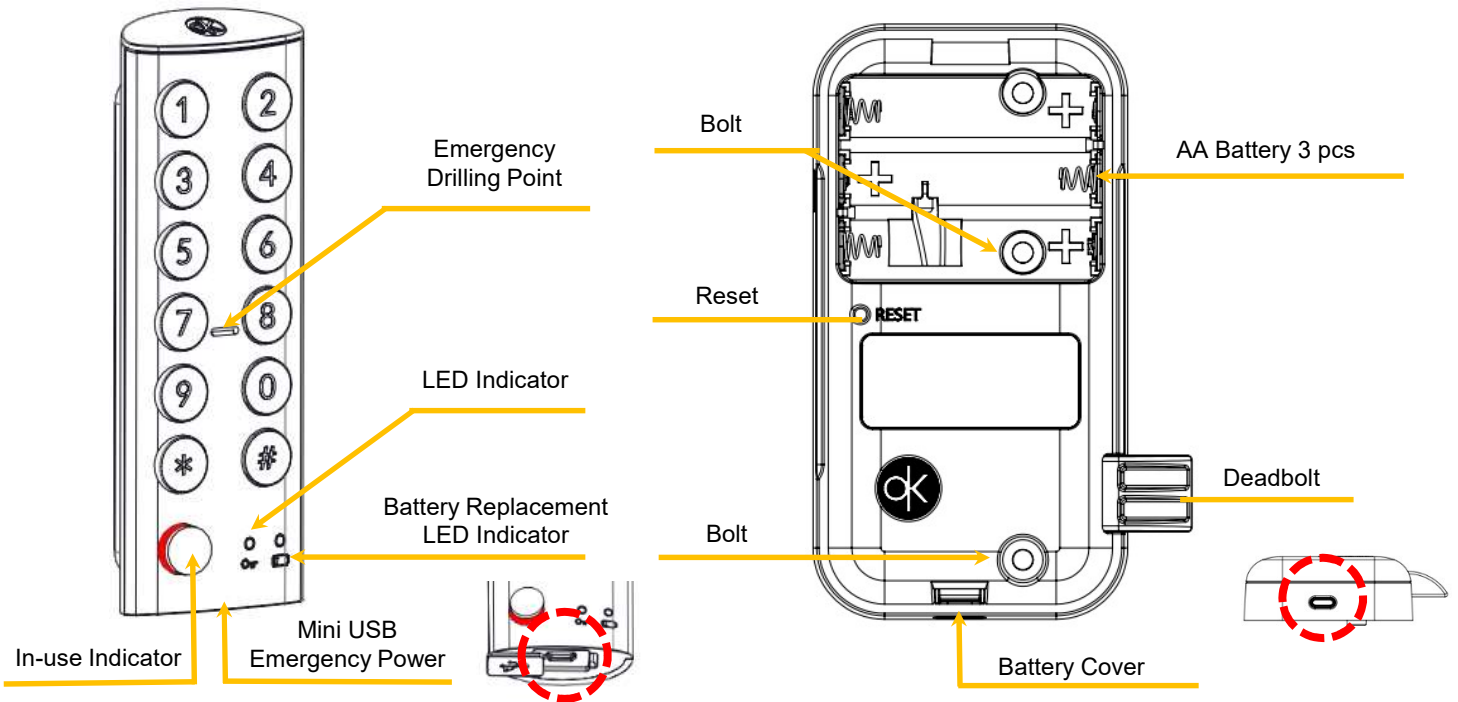


Wide-gap
Button

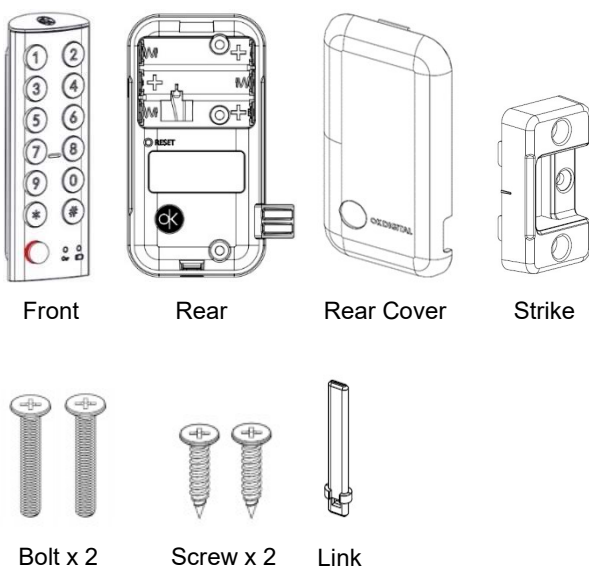


Parts, Specifications

LF-11PL



Package included



Specifications

Authentication	Passcode
Code Level	Master, User (4 ~ 12 digits)
Front Size	38(W) X 108.4(H) X 16(T) mm
Rear Size	66(W) X 125(H) X 25(T) mm
Battery	3 AA Alkaline Batteries (+4.5V DC)
Battery Life	Up to 18 months (10 times per day)
Material	PC, ABS Alloy
Front Color	Black/Silver or White/Silver
Rear Color	Black
Door Thickness	15mm, 18mm, 20mm (±0.5mm)
Supported Mode	Public, Private
Environment	-15°C ~ 55 °C, 95 %RH

- ❖ Link will be provided with an adequate size that fits the door thickness.
- ❖ Cleaning with soft fabric. Do not use benzene, thinner or gasoline.
- ❖ In-door use only



Front Color Options

LF-11PL



LF11-PL-BK



LF11-PL-WH



LF11-PL-BR



LF11-PL-BL



LF11-PL-GR



LF11-PL-GY

Standard color: Black(BK), White(WH)

Optional color: Brown(BR), Blue(BL), Green(GR), Gray(GY)



Settings, LED/Sound Indications

Setting	How To Use
Private Mode (Code)	<ul style="list-style-type: none"> Press 0 for 4 seconds ❖ Factory default User code in private mode is "1111".
Public Mode (Code)	<ul style="list-style-type: none"> Press 1 for 4 seconds ❖ Factory default: Public
Melody On/Off (Toggle)	<ul style="list-style-type: none"> Press 2 for 4 seconds ❖ Factory default: On
Detect / Not Detect door status (Toggle)	<ul style="list-style-type: none"> Press 3 for 4 seconds ❖ It detect or not detect the magnet in the strike. Factory default: Detect ❖ Be aware to use "not detect door status mode". No burglar alarm when opened by force.
Volume Up and Down	<ul style="list-style-type: none"> Press 1 and # for 4 seconds to enter the volume control mode → press # for volume up or press * for volume down (5 steps) ❖ Warning alarms such as opening by force will be maximum volume level even if the volume is set to low.
❖ Lock should be unlocked to change the mode.	

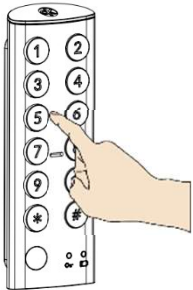
LED Indicator	Type	Light Colors	Purpose
	Key Icon	Green, Red, Yellow	Lock Status
	Battery Icon	Red	Battery Change Alarm

Status	Key LED, times	Bat. LED, times	Melody (times)
Press button	Green, 1	off	1
Entering to change mode//function	Off	off	3
Incorrect passcode	Red, 4	off	4
Delete passcode	Red, 8	off	4
Unlock	Green, 3	off	4
Lock	Red, 3	off	3
Passcode deleted	off	off	6
Correct passcode	Green, 2	off	2
Incorrect passcode	Red, 3	off	6
Mode changed	Green, 3	off	2
Reset	Yellow, 1	On, 1	1
Deadbolt jammed	Yellow, 2	On, 2	4
Emergency opening alarm	Yellow, 2	On, 2	5 (10 seconds)
Battery change warning	off	On, 5	6
Passcode registered	Green, 3	off	2
Master passcode registration mode	Red (8 seconds)	off	none
User passcode registration mode	Green (8 seconds)	off	none
Battery changed	off	off	5



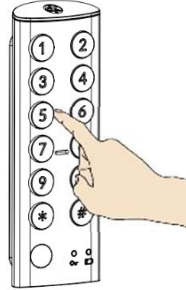
How to Use

Use User Code (Public)



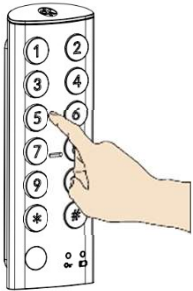
- Close door → enter 4 to 12 digits code → #
- Enter same code → # → open door
- ❖ User code will be deleted after use
- ❖ 4 to 12 digits

Use User Code (Public) + Imaginary



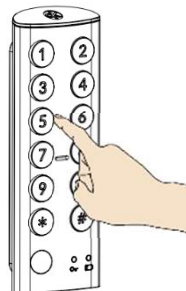
- Close door → # → any codes + 4 digits code → #
- # → any codes + same 4 digits code → # → open door
- ❖ User code will be deleted after use
- ❖ Recorded last 4 digits only

Use User Code (Private)



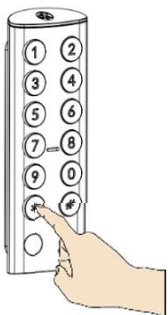
- Automatically locked when close the door.
- Enter registered User code → open door
- ❖ Factory default User code in private mode is "1111".

Use User Code (Private) + Imaginary



- Automatically locked when close the door.
- # → any codes + registered code → # → open door
- ❖ Need to register the User code by Master Code.

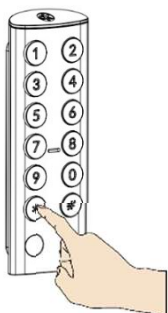
Change User Code (Private)



- Press # (4 seconds) → Current User code → # → new User Code → #
- ❖ 4 to 12 digits

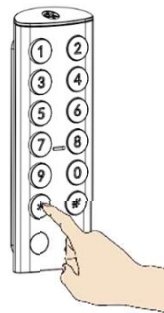
- ❖ The User code will be set to factory default User code "1111" when the mode is changed from public to private.
- ❖ User code in private mode and the Master code will be returned to factory default code when reset the lock .

Use Master Code



- Master Code → *
- ❖ Unlocked and deletes User Code
- ❖ Factory default Master code is "5321".
- ❖ 4 to 12 digits

Change Master Code



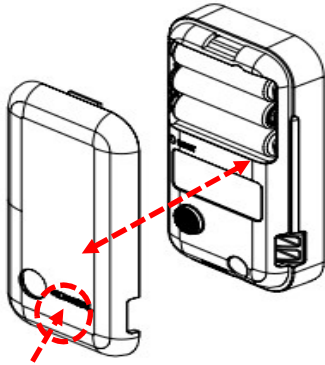
- * (4 seconds) → current Master Code → * → new Master Code → *
- ❖ Factory default Master code is "5321".
- ❖ Please change the default Master code before use.



Battery Replacement, Emergency Power

Battery Replacement

1 | Open Battery Cover

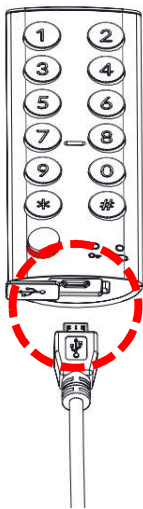


Plug in the battery cover until it clicks

- ① Need to replace the battery with new one when battery replacement LED is blinking.
 - ② Replacing the battery does not change all existing settings and codes.
- ※ Please make sure the battery cover is plugged in completely.

Emergency Power

2 | Use 5 pin mini-USB at the bottom of the front



- ① Connect 5V mini-USB into the emergency power supply port.
- ② Open the lock with User Code or Master Code.
- ③ Replace the battery with new one.

※ Emergency power supply can be used when the battery is completely exhausted, and the lock is not working.

※ User code is deleted when the Master code is used.

- In Public mode, the lock will stay unlocked.
- In Private mode, the User code is deleted. Need to register a new User code.

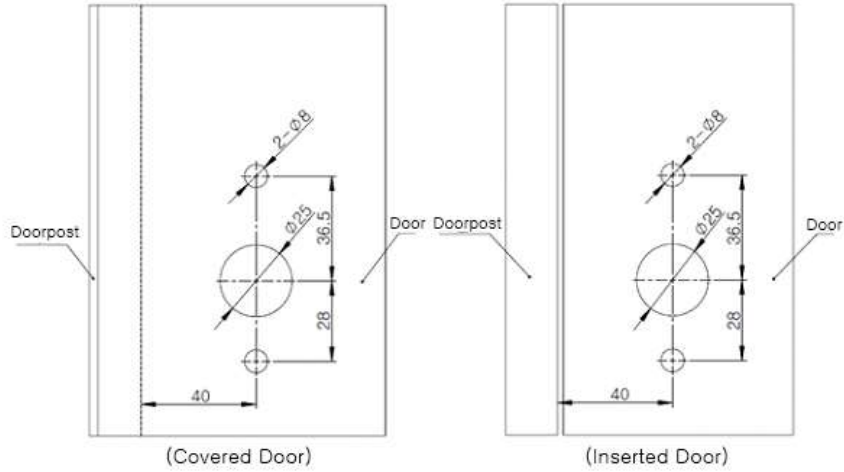
Fault Diagnosis & First Aid

- Wrong User code or Master code 5 times : The lock will be freeze up for 30 seconds. Possible to try again after 30 seconds.
- Forget the User code : Use Master code to open the door
- Cannot lock the door : There is a warning alarm if the door is droop or clothes get stuck on the door. Fix the door or remove the cloth away from the door

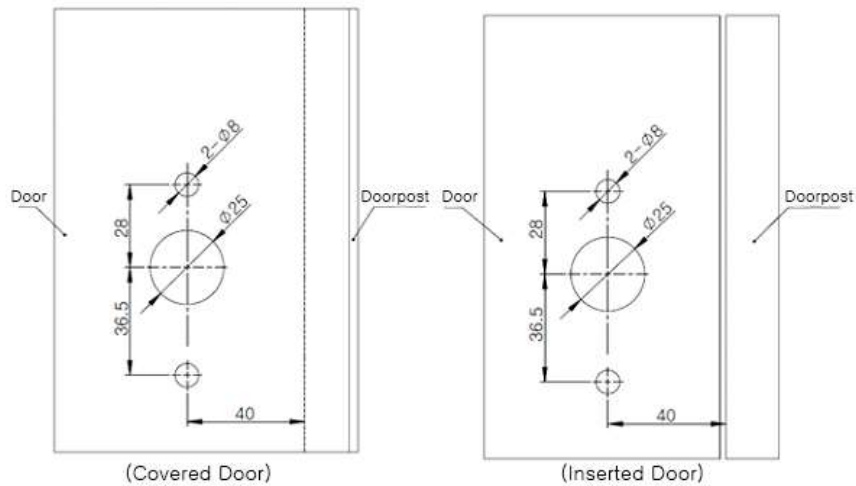


Punching Installation Holes

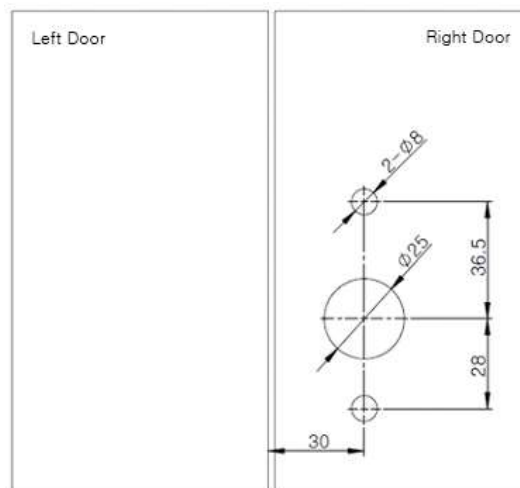
Right Hand Door



Left Hand Door



Two Door

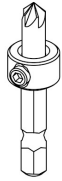




Emergency Opening by Force

Tools

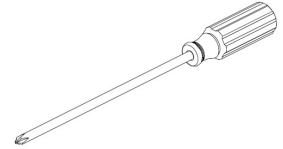
Drill Bit (Option)



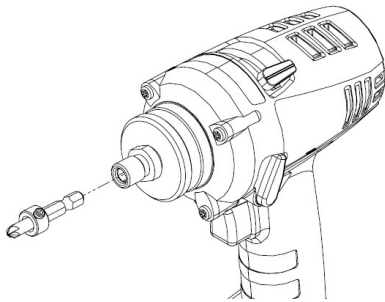
Electric Drill



“+” Screwdriver

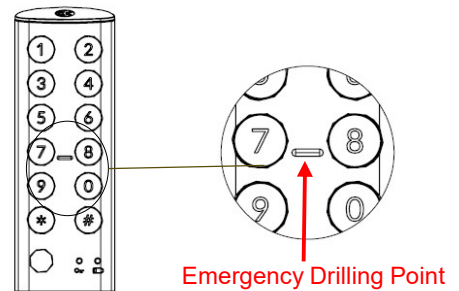


1



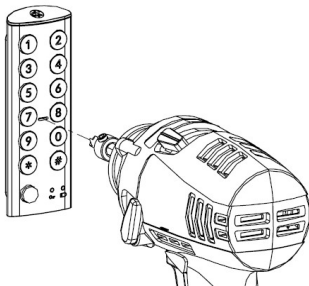
Insert the drill bit into the electric drill.

2



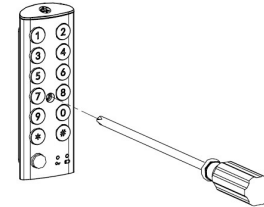
Check exact drilling point.

3



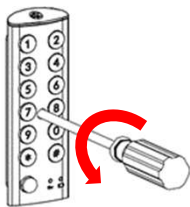
Drill to make a hole through the drilling point.

4



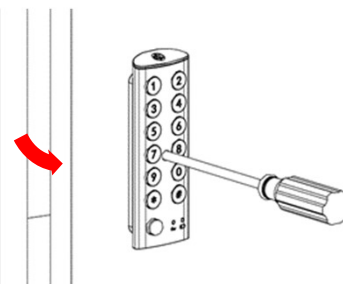
Insert “+” screwdriver into the hole.

5



Turn the driver count clockwise.

6



Open the door.

❖ There will be warning alarms for 20 seconds at the maximum volume when the door is opened by force.

OK Digital Co., Ltd.

#1510 Mega Bldg. SKn Techno Park
124 Sagimakgol-ro, Seongnam-si, Gyeonggi-do 13207
T) +82-1577-5351 F) +82-31-759-0331
www.okdigital.co.kr



Copyright© OK Digital Co., Ltd. All Rights Reserved.